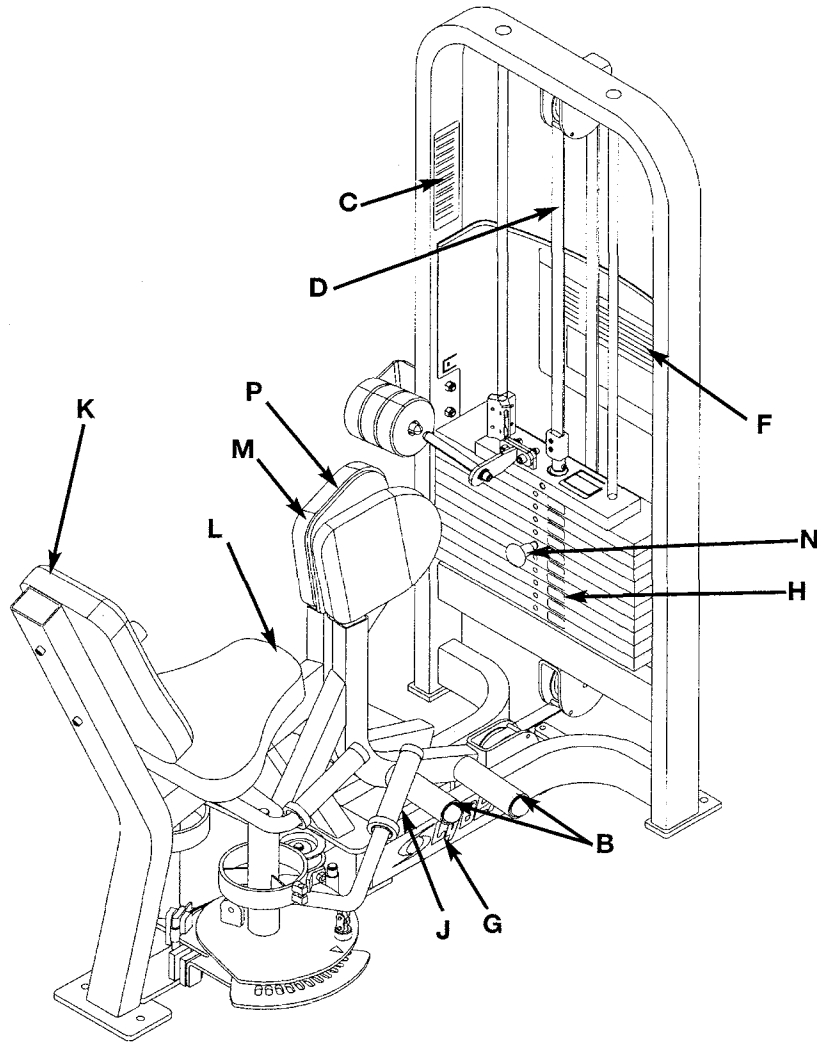


HIP ADDUCTION

PRODUCT NO. 4640

PARTS LIST

Note: Item D - Weight Stack Belt = 105" Long
Item D - Rear Belt = 29" Long



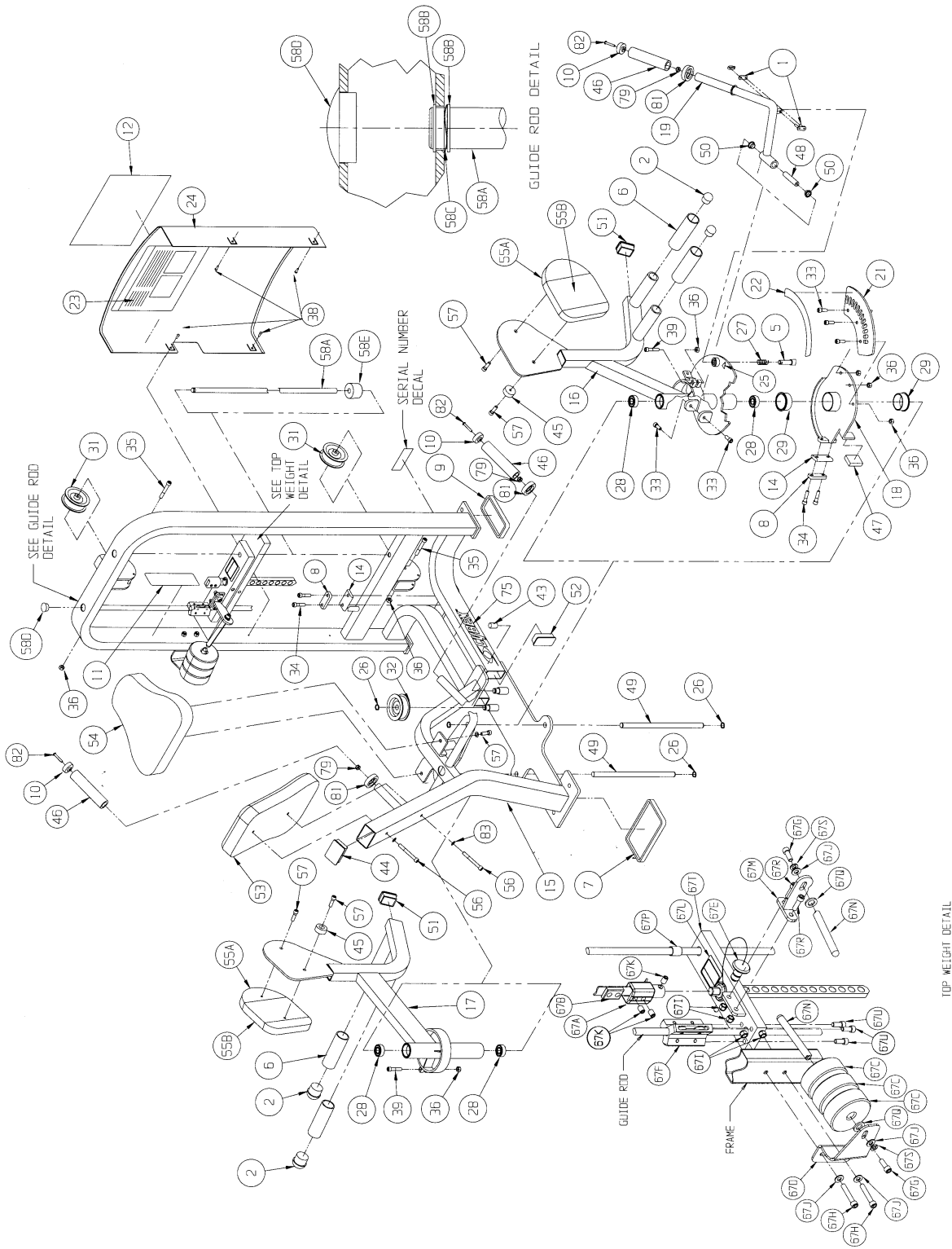
NOTE: See the exploded-view diagram for items:
A (#4), E (#12), I (#67 K) and O (Serial Number Decal).

DESCRIPTION	PART NO.	DESCRIPTION	PART NO.
A. Cable Subassembly	4140-004	I. Caution Decal.....	4605-424
B. Grip.....	4140-329	J. Grip.....	4605-500
C. Warning Decal	4605-381	K. Back Cushion.....	4800-115
D. Belt	GB000202	L. Seat Cushion	4800-025
E. Cybex Decal Blk/Plm	3900-391	M. Leg Cushion/Wear Cover	4800-018
E. Cybex Decal Wht/Wht ..	3900-419	N. Weight Selector Pin.....	6H030207
F. Placard Decal.....	4640-598	O. Serial Number Decal	
G. Cybex Decal Blkt/Plm ...	3900-390	P. Wear Cover (Item M).....	4800-090
G. Cybex Decal Wht/Wht...	3900-415		
H. Weight Plate Decal	4605-388		

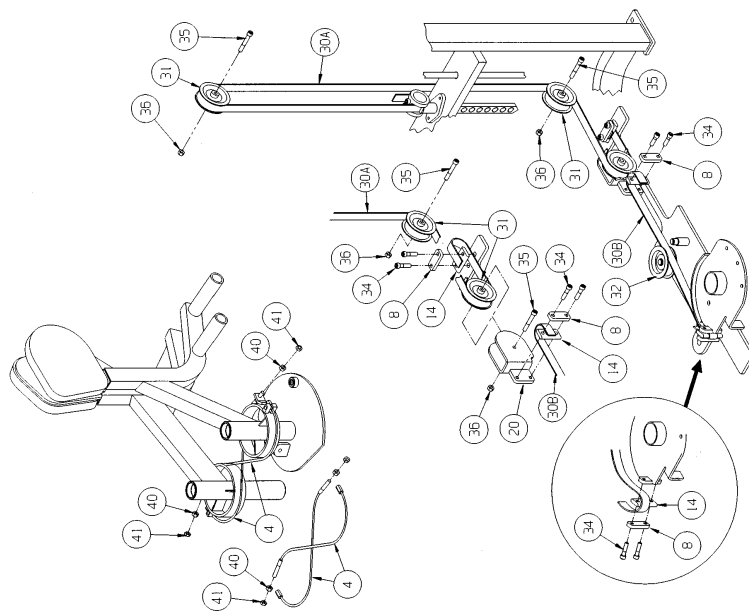
4640 - Hip Adduction

ITEM	QTY	PART NO.	DESCRIPTION	ITEM	QTY	PART NO.	DESCRIPTION
1	1	01989	Single Connecting Link	55 A	2	4800-018	Leg Cushion w/Wear Cover
2	4	08001	Plug	55 B	2	4800-090	Wear Cover
3			Removed	56	2	HC702834	SHCS .375-16 x 3.00
4	2	4140-004	Cable Subassembly	57	6	JC702820	SHCS .375-16 x 1.25
5	1	4140-324	Detent Pin	58	1	4701-020	Weight Stack Guide Rod Set
6	4	4140-329	Grip 5" Long	58 A	2	4535-329	Weight Stack Guide Rod
7	1	PR070002	Foot Pad 4.00 x 7.00	58 B	4	BR030214	Retaining Ring .625
8	3	4605-300	Belt Clamp	58 C	2	HS407100	Spring Washer .65 x .79 x .062 T
9	2	PR070003	Foot Pad 2.00 x 5.25	58 D	2	PN660200	Plastic Insert 1.00 Dia x 11 G
10	3	11090-374	End Cap	58 E	2	PR060005	Weight Bumper
11	1	4605-381	Warning Decal	59			Not Used
12			Removed 3/03	60			Not Used
12	1	3900-391	Cybex Decal 11.37 Vert. Blk/Plm	61			Not Used
12	1	3900-419	Cybex Decal 11.37 Vert. Wht/Wht	62			Not Used
13	1	4605-388	Weight Plate Decal 10-290	63			Not Used
14	3	4605-394	Belt Clamp	64			Removed
15	1	4640-200	Frame	65			Not Used
16	1	4640-201	Input Arm (Right Hand)	66			Not Used
17	1	4640-202	Input Arm (Left Hand)	67	1	4701-030	Sliding Increment Weight Set
18	1	4640-203	Cam	67 A	1	11040-216	Belt Clamp
19	1	4640-204	Handle	67 B	1	11040-301	Belt Clamp Insert
20	1	4640-205	Pulley	67 C	3	4605-390	Increment Weight
21	1	4640-301	Cam Plate	67 D			Removed 3/03
22	1	4640-302	Input Cam Decal	67 E	1	GH030207	Weight Selector Pin
23	1	4640-598	Placard Decal	67 F	1	4701-001	Top Weight Guide
24	1	4505-431	Guard	67 G	2	HC702817	SHCS .375-16 x 1.00
25	1	5340Y045	Arrow Decal	67 H	2	HC702828	SHCS .375-16 x 2.25
26	5	BR030210	Retaining Ring 17 mm	67 I	4	HN704901	Nylon Locknut .375-16
27	1	BS070201	Com Spring .56 x .66 x 1.50 L	67 J	4	HS347600	Washer, SAE .375
28	4	FB030232	Radial Brg 17 mm ID (Ext Race)	67 K	3	HY740000	Set Screw
29	2	FB130206	Flange Brg 2.00 x 2.25 x 1.00 L	67 L	1	4605-424	Caution Decal
30 A	105"	GB000202	Belt .95" Wide	67 M	1	4700-240	Weight Mount
30 B	29"	GB000202	Belt .95" Wide	67 N	2	4700-318	Increment Weight Rod
31	3	GP000209	Pulley Assembly 3.50	67 O	1	4700-319	Frame Mount Increment Weigh
32	1	GP000212	Pulley Assembly 3.50	67 P	1	FB130208	Bearing Sleeve .68 x .81 1.00 L
33	5	HC702817	SHCS .375-16 x 1.00	67 Q	2	4700-321	Rubber Washer
34	6	HC702822	SHCS .375-16 x 1.50	67 R	2	JC702820	SHCS .375-16 x 1.25
35	3	HC702830	SHCS .375-16 x 2.50	67 S	2	HS348300	Split Lockwasher .375
36	10	HN704901	Nylon Locknut .375-16	67 T	1	4700-239	Top Weight
37			Not Used	67 U	3	HC702816	SHCS .375-16 x .875
38	4	HT102214	Tap Screw #10-12 x .625 A (Phil)	68			Removed
39	2	JC702824	SHCS .375-16 x 1.75	69			Not Used
40	2	JN714200	Hex Nut .375-24	70			Not Used
41	2	JN714400	Jam Nut .375-24	71			Not Used
42			Removed 8/98	72			Not Used
43	1	PP080205	Cap	73			Not Used
44	1	PP090206	Plastic Insert	74			Not Used
45	2	PR060003	Recess Bumper	75			Removed 3/03
46	3	4605-500	Grip 6" Long	75	1	3900-390	Cybex Decal 1.57 Horiz. Blk/Plm
47	1	PU060201	Bumper	75	1	3900-415	Cybex Decal 1.57 Horiz. Wht/Wht
48	1	4535-328	Short Pivot Pin	76			Not Used
49	2	4605-334	Pivot Shaft 13.06	77	1	4701-302	VR2 Weight Stack Instr. (not shown)
50	2	FB130205	Flange Brg .62 x .75 x .88 L	78	1	51198	Strength Warranty Sheet (not shown)
51	2	PP090000	Plastic Insert 1.50 x 2.00 x 11 G	79	3	HF449063	Tube Insert
52	2	PP090202	Plastic Insert 1.50 x 3.00 x 11 G	80	9	4000C101	Stack Weight 4 x 18 (not shown)
53	1	4800-115	Back Cushion	81	3	11090-376	Handle Grip Ring
54	1	4800-025	Seat Cushion	82	3	JC620422	BHSCS .250-20 x 1.50
55 A	2	4800-018	Leg Cushion w/Wear Cover	83	8	JS347400	Internal Tooth Lockwasher

HIP ADDUCTION - 4640



TOP WEIGHT DETAIL



BELT ROUTING DETAIL